

The Agriculture Specialists



d *macchine edili ed agricole*
DIECI
S.r.l.

The Agriculture Specialists

	Agri Plus 40.7 VS	Agri Plus 40.7 H VS	Agri Plus 40.7 PS	Agri Plus 40.7 H PS	Agri Plus 38.9 VS	Agri Plus 38.9 H Vs	Agri Plus 38.9 PS	Agri Plus 38.9 H PS	Agri Tech 35.7 VS	Agri Tech 32.9 VS
Engine	Iveco NEF	Iveco NEF	Iveco NEF	Iveco NEF	Iveco NEF	Iveco NEF	Iveco NEF	Iveco NEF	Iveco NEF	Iveco NEF
Maximum Power	93(127)	93(127)	93(127)	93(127)	93(127)	93(127)	93(127)	93(127)	93(127)	93(127)
Maximum Speed	40	40	40	40	40	40	40	40	40	40
Transmission	ID / EL	ID / EL	TC	TC	ID / EL	ID / EL	TC	TC	ID / EL	ID / EL
Maximum Capacity	4.000	4.000	4.000	4.000	3.800	3.800	3.800	3.800	3.500	3.200
Maximum lifting height	7,00	7,00	7,00	7,00	9,00	9,00	9,00	9,00	7,00	9,00
Length x Width x Height	5075x2265x2355	5075x2265x2495	5075x2265x2355	5075x2265x2495	5075x2265x2355	5075x2265x2495	5075x2265x2355	5075x2265x2495	5550x2400x2500	5550x2400x2500
Total weight (empty)	7.600	7.600	7.600	7.600	7.800	7.800	7.800	7.800	7.400	8.000
Tyres	16/70x24"	16/70x24"	16/70x24"	16/70x24"	16/70x24"	16/70x24"	16/70x24"	16/70x24"	16/70x24"	405/70x24"



**Agri Plus
40.7 VS**



**Agri Plus
40.7 H VS**



**Agri Plus
40.7 PS**



**Agri Plus
40.7 H PS**



**Agri Plus
38.9 VS**

Face the **INNOVATION**

The Dieci Agri machines are quick and easy to handle, extreme comfortable and easy to drive, along with the productivity guaranteed by the precision of electronic devices shall thrill you. Cutting edge technology with outstanding performance and unmatched comfort put the Dieci Agri machines in pole position in all fields.

- Designed for intense use, they guarantee a high level of reliability over time.
- The gearbox allows you to go from one speed to another when loaded without touching the clutch.
- The electronically controlled four-wheel drive ensures maximum safety and better handling even with the heaviest loads.
- The attention given to comfort and functionality is confirmed by a cab equipped with every optional extra in which every control is rationally arranged.

Each activity requires different needs, therefore the AGRI line is available in 10 different versions.



**Agri Plus
38.9 H VS**



**Agri Plus
38.9 PS**



**Agri Plus
38.9 H PS**



**Agri Tech
35.7 VS**



**Agri Tech
32.9 VS**

AGRI PLUS

designed for agriculture



Dieci, a leader in the field of telescopic lifts for years, proposes the AGRI PLUS line with a dedicated and specific project. It has never been so easy to obtain prevention, safety and productivity at the highest level.

In full compliance with the strictest safety regulations in force, the extreme multiple functionality allows to obtain the best performance where the work cycles are very heavy and very rapid. Dynamism, strength and undoubtedly functional design clearly convey how easy it is to work with an AGRI PLUS.





AGRI TECH

the first multifunction machine as strong as a tractor



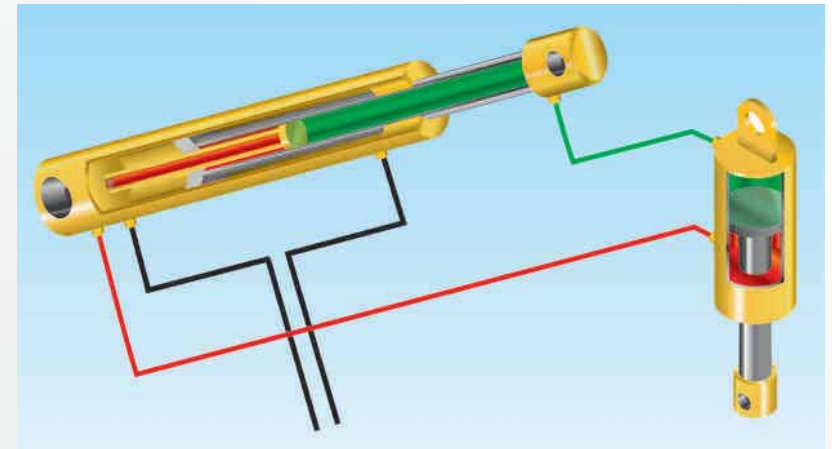
From the evolution of historical experience in the field of telescopic lifts comes the AGRI TECH range, machines with high performance with irreplaceable dynamism and versatility attributes. PTO and rear three point coupling give these multifunctional machines far superior features and areas of application compared to tractors of the same power.

It is only by using an AGRI TECH that one can appreciate all its abilities. The reduced dimensions, the high performance standards, the innovative technological equipment and comfort condensed into AGRI TECH machines, make them really unique.



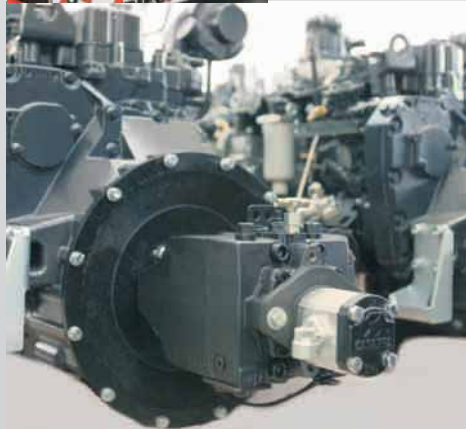


The Features that make us **WINNERS**



The ingenious suspension system installed on the **EASY RIDE** boom, available as an optional extra, drastically reduces the swinging feeling that one encounters whilst driving over uneven ground.

The Dieci patent relative to the **compensation cylinder** placed inside the lifting cylinder always makes the pressure on the boom balanced, increasing its durability over time.



The possibility to choose the speed of the boom movements via the automatic or manual engagement of a **supplementary hydraulic pump** enables to operate with absolute precision or extreme dynamism.

The ingenious **oscillation system** is purposely designed to increase the operation angle, particularly noticeable whilst using the loading shovel with the boom raised.



ENGINE

The high thermal stress caused by long work cycles will no longer be a problem on board a Dieci telescopic lift.

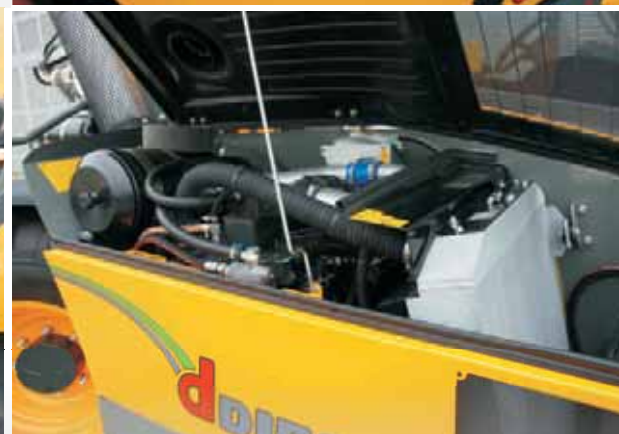
To prevent the risk of overheating the Agri Plus and Agri Tech ranges are in fact equipped with a double cooling circuit with two radiators that allow to reduce temperatures by cooling all the oil (transmission + hydraulic unit).

The excellent accessibility to the radiators, air filters and engine compartment allows for quick and easy maintenance, without slowing down the work stages.



Continuity is one of the most important qualities of the agricultural machine engine, the maximum power must be achieved early and maintained for a long time it is the case of your Agri engine that is able to reach the maximum torque at low speeds and maintain it in a very wide stability arch. The new 93 kW engines develop the best torque on the market in their power category thus offering a remarkable flexibility and unmatched operation quietness.

The 140 l or 160 l diesel tank and the optimised consumptions guarantee a record-breaking range that translates into a 20% to 30% reduction of refuelling stops.



AGILITY

The high efficiency steering system transmits a light driving sensation, in fact even in the most loaded conditions the steering wheel is always soft. Manoeuvrability and compactness remain the main features, despite the longer wheelbase the turning radius is the narrowest one of its category.



FRAME STRENGTH

The frame features a strong visual impact that makes your Dieci Agri unmistakable, the oversized structure confers rigidity and total safety characteristics even under major stress conditions. Unmatched in its class is the control of the machine that is completely free of vibrations and deflections.



Exactly like your tractor

Latest generation **three point hitch**, indispensable for the most demanding. It will allow you to use all agricultural accessories with a unique vehicle.



The **standard effort and position electronic control system** allows to drive over any type of ground by automatically adjusting the equipment height from the ground. The **anti-dumping system** allows to drastically reduce the oscillations encountered whilst moving.

The particular position, very close to the rear axis, guarantees **perfect stability** even in case of major stress reducing front axle lifting time to the minimum. Of great utility, the ability to stop the oscillation of the front axle to perform operations such as telescopic lifter, or to block the rear for use as a tractor.

New and of high performance, the two speed (**540-1000 Rpm**) **mechanical PTO** handling system is able to transfer all the available power to your equipment.



TRANSMISSION

Since it is a vehicle destined for a great variety of uses it is available with 2 different types of transmissions: **VARIO SYSTEM** and **POWERSHIFT**.

Both transmissions are able to handle, via the **INCHING** pedal control, controlled movement even with the engine at the highest speeds.



The most classic **POWERSHIFT** guarantees the highest power at all operation speeds thanks to a 4 forward gears and 3 reverse gears gearbox. The prerogative of this transmission is the possibility to change gear at speed both in manual and automatic mode. Tow a trailer at up to 40 km/h in mountain areas or on particularly uneven ground shall no longer be a limit.

These features thus allow the machine to assist you from the beginning to the end of the processing chain enabling you, with a sole vehicle, to meet all your needs.



The new **VARIO SYSTEM** electronic hydrostatic transmission allows to always and under all work conditions find the best speed / power ratio, allowing unmatched manoeuvrability fluidity with millimetric accuracy in small movements.

The **"DRIVE MODE"** traction management electronic system allows to set up to 4 different driving modes:

AUTOMOTIVE, LOADER, CREEPER and ECO.

- **"Automotive"** mode: the machine reaches the maximum speed of 40 km/h on the road without limitations of engine revolutions nor speed;
- **"Loader"** mode: in the maximum loading effort situations, the maximum speed can be limited to a range from 0 to 14 km/h;
- **"Creeper"** mode: it is possible to set a constant movement speed, independently from the engine revolutions and from the ground conditions, ideal for specialist work;
- **"ECO"** mode: (Agri Tech only) thanks to the balances use of a hydraulic pump and Diesel engine according to the work, driving and ground conditions one obtains a significant saving of fuel.



<p>1 Automotive</p>	<p>2 Loader</p>
<p>Speed</p>	<p>Gas</p> <p>Checked by the operator</p>
<p>Speed</p>	<p>Gas</p> <p>Checked by the operator</p>
<p>3 Creeper</p>	<p>4 Eco</p>
<p>Speed</p>	<p>Gas</p> <p>Automatic</p>
<p>Speed</p>	<p>Gas</p> <p>Checked by the operator</p>



SAFETY

For us, safety is an absolute priority, it is guaranteed by an electronic system, standard on all models, which makes it possible to always keep under control the weight on the forks or on equipment during work manoeuvres. The load limiter flexibly and accurately manages both standard equipment and that used for specific applications.



COMFORT

A telescopic lift that takes care of everything... You will notice it immediately, climb on board! Equipped with the largest door on the market, accessing the driver's seat will no longer be a problem. The inside of the cab has been entirely designed in order to make work easier for the operator. Thanks to the integration of the armrest with the right plank, it both reduced arm stress and provides for greater accessibility to the joystick. Soundproofing, adjustable steering wheel height and depth, electric windows (that can be partially opened in the event of rain), and accessories such as storage compartments, air conditioning, stereo, awnings, and a pneumatic ergonomic seat allow to operate in total comfort conditions.

The accurate distribution of the ventilation grills optimises efficiency of the heating and air conditioning system, providing a perfect distribution of air inside the cab preventing overheating or fogging problems. The roof that can be opened, standard on all models, allows better ventilation whilst driving.

360° VISIBILITY

From the significantly raised driver's seat, the innovative anti-fall protection system, located inside the cab, allows for a 360° view that is without comparison. Parallelogram windscreen wiper cleans the windscreen even in the upper part of the cab.

Two independent rear-view mirrors on both sides reduce dead angles to a minimum.

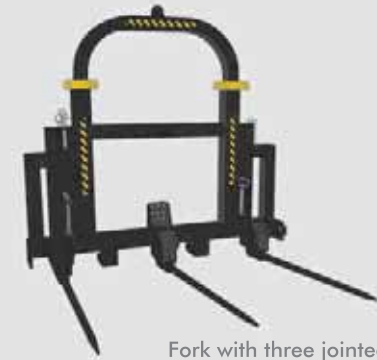




Dieci — Agriculture



the right partner
for your business



Fork with three jointed prongs



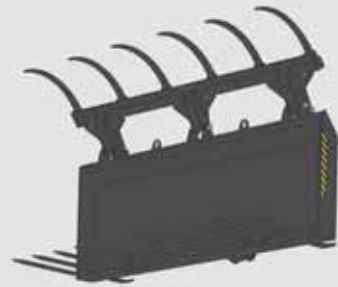
Clamp for big wrapped bales



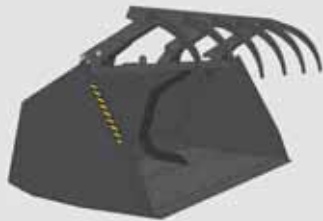
Clamp for two roll bales



Clamp for logs



Multipurpose fork with holder



Bucket with holder



Bucket for silage



Aluminium people-carrying basket



The historical experience in the agricultural field and the continuous research of new solutions always solve your lifting and handling needs. AGRIPUS machines are always up to the task in all work conditions, even the most extreme ones. On-road towing of trailers of up to 20 tons at 40 Km/h enables extreme versatility.

Agritech, thanks to the PTO and rear three point coupling, shall make it possible to use a vast range of equipment that has always been necessary for agriculture. This unique and exceptional machine, shall help you to simplify your work reducing times and effort. All models of the range are designed to minimise the maintenance and repair costs. Their solidity and reliability are proven by very distanced maintenance cycles.



A strategy

Made in ITALY



Think global, act local: this is the motto that summarises the **DIECI** s.r.l. policy.

The construction of the new premises is an excellent example of this: if on one hand the firm wanted to maintain the productive factory in Montecchio Emilia (Reggio Emilia - Italy) to safeguard its identity as an Italian business and an industrial culture with 40 years of tradition, on the other, such structure, for how it is designed, represents the basis to explore new business horizons worldwide.



360° After-sales service



T.A.S. Technical Assistance Service is the real strength of the Dieci organisation.

The worldwide presence of a capillary network of assistance centres, automated spare parts warehouses with next-generation systems coupled with the direct assistance with the user, ensure a substantial reduction of intervention times.

The Dieci T.A.S. thanks to an efficient dealer network can supply all over the world, in just 24 hours, both spare parts and skilled personnel, able to perform any type of maintenance.



Agri Plus Technical data

PERFORMANCE	40.7 VS	40.7 H VS	40.7 PS	40.7 H PS	38.9 VS	38.9 H VS	38.9 PS	38.9 H PS
Maximum capacity (kg)	4.000	4.000	4.000	4.000	3.800	3.800	3.800	3.800
Maximum lifting height (m)	7,00	7,00	7,00	7,00	9,00	9,00	9,00	9,00
Maximum horizontal outreach (m)	3,90	3,90	3,90	3,90	5,85	5,85	5,85	5,85
Outreach at maximum height (m)	0,15	0,15	0,15	0,15	0,65	0,65	0,65	0,65
Fork oscillation angle	146°	146°	146°	146°	130°	130°	130°	130°
Jolt force (daN)	6.000	6.000	6.000	6.000	6.000	6.000	6.000	6.000
Towing force (daN)	6.000	6.000	8.000	8.000	6.000	6.000	8.000	8.000
Maximum climb angle	60%	60%	60%	60%	60%	60%	60%	60%
Total weight empty (kg)	7.700	7.700	7.700	7.700	7.900	7.900	7.900	7.900
Max speed (km/h)	40	40	40	40	40	40	40	40

BOOM	40.7 VS	40.7 H VS	40.7 PS	40.7 H PS	38.9 VS	38.9 H VS	38.9 PS	38.9 H PS
Stages: empty / with speed supplement (in seconds)								
Lifting	10,2 / 7,4	10,2 / 7,4	10,2 / 7,4	10,2 / 7,4	11,8 / 8,6	11,8 / 8,6	11,8 / 8,6	11,8 / 8,6
Descent	5,3 / 3,9	5,3 / 3,9	5,3 / 3,9	5,3 / 3,9	6,9 / 5,1	6,9 / 5,1	6,9 / 5,1	6,9 / 5,1
Extension	7,3 / 5,4	7,3 / 5,4	7,3 / 5,4	7,3 / 5,4	9,9 / 7,2	9,9 / 7,2	9,9 / 7,2	9,9 / 7,2
Retraction	4,1 / 3,0	4,1 / 3,0	4,1 / 3,0	4,1 / 3,0	5,9 / 4,3	5,9 / 4,3	5,9 / 4,3	5,9 / 4,3
Arching forward	3,7 / 2,7	3,7 / 2,7	3,7 / 2,7	3,7 / 2,7	3,7 / 2,7	3,7 / 2,7	3,7 / 2,7	3,7 / 2,7
Arching backwards	2,4 / 1,7	2,4 / 1,7	2,4 / 1,7	2,4 / 1,7	2,4 / 1,7	2,4 / 1,7	2,4 / 1,7	2,4 / 1,7
Patented compensation system								

TRANSMISSION (for VS models)

Vario System hydrostatic transmission.
 Electro-hydraulic reversing gear
 Drive Mode: Automotive / Loader / Creeper.
 Electronic inching pedal

TRANSMISSION (for PS models)

Torque converter transmission.
 Electro-hydraulic reversing gear
Powershift gearbox with inching control.
 4 forward gears / 3 reverse gears.

DIFFERENTIAL AXLES

Steering axles: 2, with planetary reduction gears
 Steering types: 4 wheels / transversal / 2 wheels
 Front axle: rigid
 Back axle: oscillating
 Oil bath service braking on the 4 wheels and servo brake
 Negative action parking brake.

REFILLING (Litres)

Hydraulic system (total) 120
 Diesel tank 160

HYDRAULIC SYSTEM

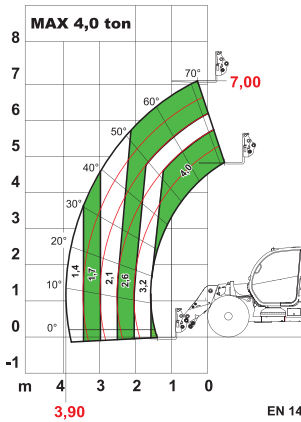
Gear pump with max. speed capacity of: ^{optional (140 lt/1)} 110 lt/1'
 Max operational pressure: 230 bar
 Distributor control with joystick: 3 in 1

TOWING CAPACITY (upon request)

Trailer without brakes (ton): 3
 Inertia braking (ton): 6
 Mechanical braking (ton): 5
 Hydraulic/pneumatic braking (ton): 20

ENGINE

Model	Iveco NEF
Maximum net power kW (hp)	93 (127)
Revolutions per minute (rpm)	2200
Operation	4 stage diesel
Injection	Direct mechanical
Cylinder number and arrangement	4, vertical in line
Engine size (cm ³)	4485
Specific consumption at 2200 rpm (g/kWh)	230
Aftercooler turbo compressor	
Liquid cooling system	

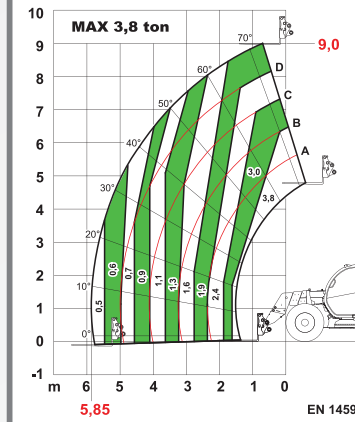


Agri Plus 40.7



Diagram valid for all 40.7 models:

40.7 VS - 40.7 H VS - 40.7 PS - 40.7 H PS



Agri Plus 38.9



Diagram valid for all 38.9 models:

38.9 VS - 38.9 H VS - 38.9 PS - 38.9 H PS

OPTIONAL AND ACCESSORIES

A/C, Air heaters, Water heaters, Radio with CD player,
 Rear hydraulic socket, Height-adjustable rear tow-bar,
 Pneumatic braking, Hydraulic braking, Automatic reversible fan,
 Boom suspension, 4 in 1 Distributor, Double pump (140 L) with
 ENERGY SAVING system; Agricultural tractor approval;
 Tow-bar approval (Max 20 tons).

AS PER STANDARD DEVICES

Anti-tipping device with hazardous movement block.
 Hydraulic socket for any accessories on the boom head.
 Soundproof closed cab, ROPS-FOPS approved, with heater.
 Self-blocking front axle differential (limited slip 45%).
 Electric steering control.
 High efficiency filter with cyclones.
 Electric window winder.

TYRES

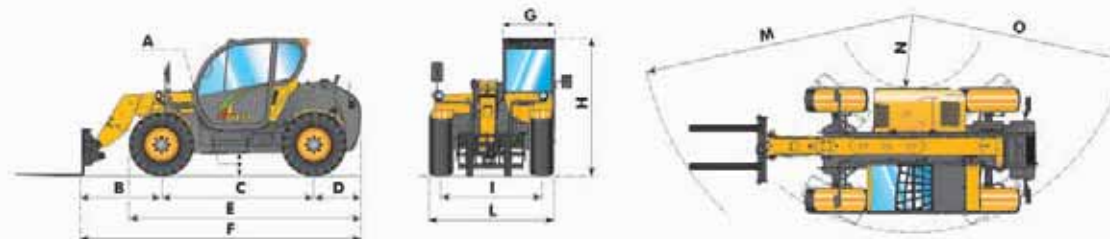
Tyres	405/70x24"
Alternative	445/70R24"

DIMENSIONS

	40.7 VS	40.7 HVS	40.7 PS	40.7 HPS	38.9 VS	38.9 HVS	38.9 PS	38.9 HPS
A	360	360	360	360	360	360	360	360
B	1475	1475	1475	1475	1475	1475	1475	1475
C	2750	2750	2750	2750	2750	2750	2750	2750
D	850	850	850	850	850	850	850	850
E	4175	4175	4175	4175	4175	4175	4175	4175
F	5070	5070	5070	5070	5070	5070	5070	5070
G	940	940	940	940	940	940	940	940
H	2350	2500	2350	2500	2350	2500	2350	2500
I	1820	1820	1820	1820	1820	1820	1820	1820
L	2260	2260	2260	2260	2260	2260	2260	2260
M	4910	4910	4910	4910	5045	5045	5045	5045
N	1320	1320	1320	1320	1320	1320	1320	1320
O	3920	3920	3920	3920	3920	3920	3920	3920

Measurements expressed in millimetres

Measurements referred to the machine equipped with 405-70-24" wheels



Agri Tech Technical Data

PERFORMANCE	35.7 VS	32.9 VS
Maximum capacity (kg)	3.500	3.200
Maximum lifting height (m)	7,00	9,00
Maximum horizontal outreach (m)	3,83	6,04
Outreach at maximum height (m)	0,53	1,36
Fork oscillation angle	146°	146°
Jolt force (daN)	5.400	5.400
Towing force (daN)	6.000	6.000
Maximum climb angle	75%	75%
Total weight empty(kg)	7.600	8.000
Max speed (km/h)	40	40

TRANSMISSION
Vario System hydrostatic transmission.
Electro-hydraulic reversing gear
4 Drive Mode: Automotive / Loader / Creeper / Eco.
Electronic inching pedal.

HYDRAULIC SYSTEM	
Gear pump with max. speed capacity of:	110 lt/1' optional (140 lt/1')
Max operational pressure:	240 bar
Distributor control with joystick:	4 in 1

DIFFERENTIAL AXLES
Steering axles: 2, with planetary reduction gears
Steering types: 4 wheels / transversal / 2 wheels
Front axle: levelling
Back axle: oscillating
Oil bath service braking on the 4 wheels and servo brake
Negative action parking brake.

ENGINE	
Model	Iveco NEF
Maximum net power kW (hp)	93 (127)
Revolutions per minute (rpm)	2200
Operation	4 stage diesel
Injection	Direct mechanical
Cylinder number and arrangement	4, vertical in line
Engine size (cm3)	4485
Specific consumption at 2200 rpm (g/kWh)	230
Aftercooler turbo-compressor	
Liquid cooling system	

REFILLING (Litres)	
Hydraulic system (total)	120
Diesel tank	140

AS PER STANDARD DEVICES
Anti-tipping device with hazardous movement block.
Hydraulic socket for any accessories on the boom head.
Soundproof closed cab, ROPS-FOPS approved, with heater.
Self-blocking front axle differential (limited slip 45%).
Electric steering control.
High efficiency filter with cyclones.
Electric window winder.
Hydraulic levelling

TOWING CAPACITY (upon request)	
Trailer without brakes (ton):	3
Inertia braking (ton):	6
Mechanical braking (ton):	5
Hydraulic/pneumatic braking (ton):	20

BOOM	35.7 VS	32.9 VS
Stages: empty / with speed supplement (in seconds)		
Lifting	9,81 / 7,15	9,81 / 7,15
Descent	5,76 / 4,20	5,76 / 4,20
Extension	6,67 / 4,86	9,28 / 6,71
Retraction	3,70 / 2,70	6,42 / 4,64
Arching forward	3,31 / 2,42	3,31 / 2,42
Arching backwards	1,84 / 1,34	1,84 / 1,34
Patented compensation system		

OPTIONAL AND ACCESSORIES
A/C, Air heaters, Water heaters, Radio with CD player;
Rear hydraulic socket; Height-adjustable rear tow-bar;
Pneumatic braking; Hydraulic braking; Automatic reversible fan;
Boom suspension; Double pump (140 L) with ENERGY SAVING system;
Agricultural tractor approval;
Tow-bar approval (Max 20 tons).

REAR LIFTER (on request)	
Electronic command with position, effort, floating, anti-dumping control function	
Lifting capacity:	Cat. 2 - 4000 Kg
Rear distributors:	3 (on request)

TYRES	35.7 VS	32.9 VS
Tyres	405/70x24"	405/70x24"
Alternative	445/70R24"	445/70R24"
Alternative	500/70R24"	500/70R24"
Alternative	18R22.5"	18R22.5"

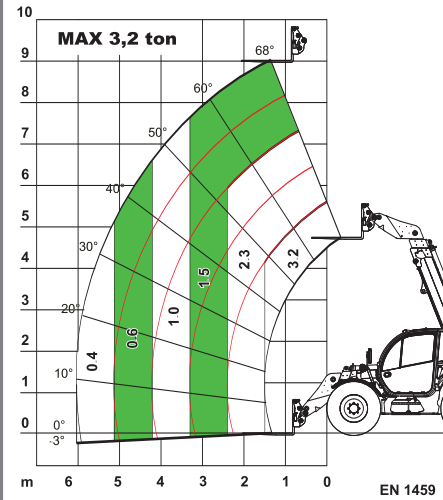
DIMENSIONS

	35.7 VS	32.9 VS
A/A*/A**	440 / 480 / 500	440 / 480 / 500
B	1540	1540
C	2750	2750
D	1260	1260
E/E*/E**	4680 / 4715* / 4750**	4680 / 4715* / 4750**
F	5550	5550
G	940	940
H/H*/H**	2500 / 2540* / 2560**	2500 / 2540* / 2560**
I/I*/I**	1820 / 1820* / 1920**	1820 / 1820* / 1920**
L/L*/L**	2400 / 2400* / 2430**	2400 / 2400* / 2430**
M	4770	4770
N	865	865
O	3650	3650

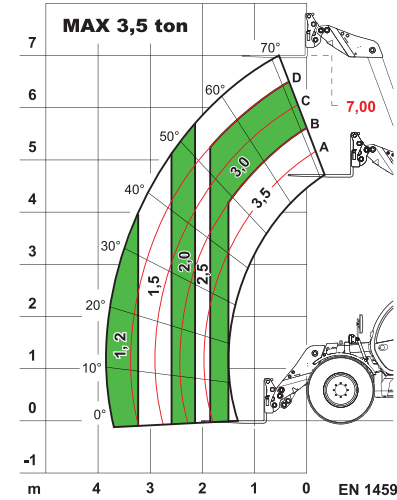
Measurements expressed in millimetres

A* - E* - H* = Measurements referred to the first wheels alternative

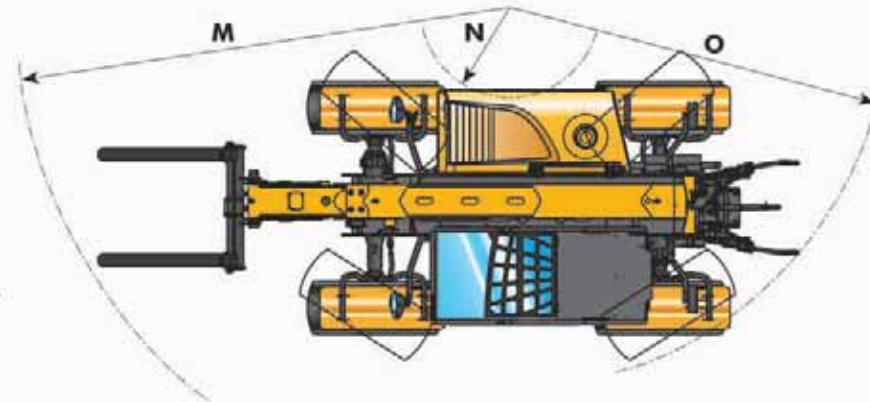
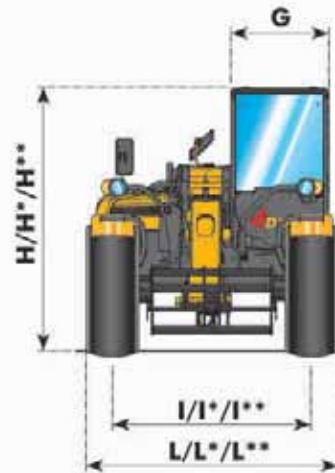
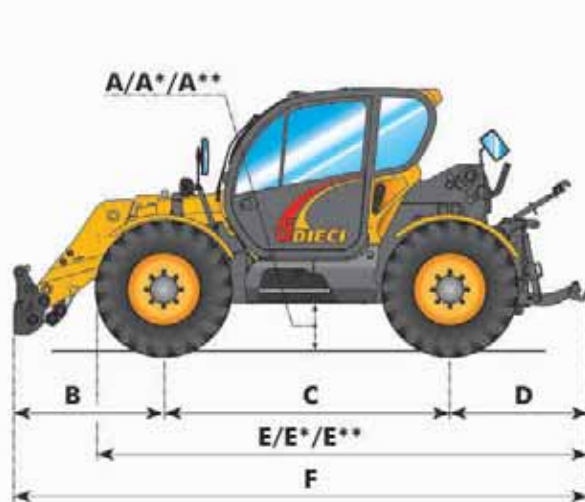
A** - E** - H** = Measurements referred to the second wheels alternative



Agri Tech 32.9 VS



Agri Tech 35.7 VS





Via E. Majorana, 2-4 42027 Montecchio Emilia (RE) ITALY

Tel. +39 0522 869611 Fax +39 0522 869791 (comm. le Estero) Fax +39 0522 869604 (comm.le Italia)

www.dieci.com - E-mail: info@dieci.com